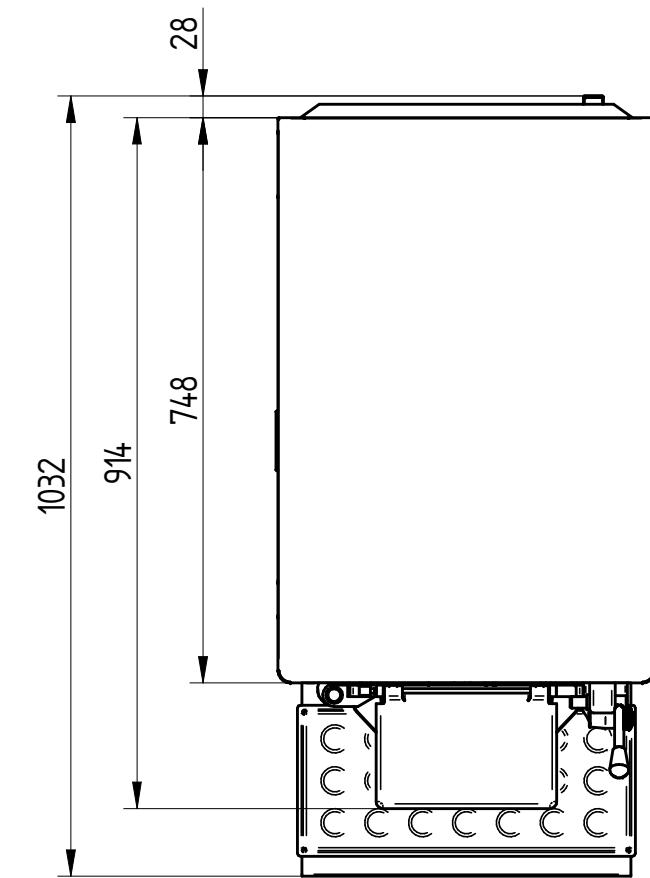
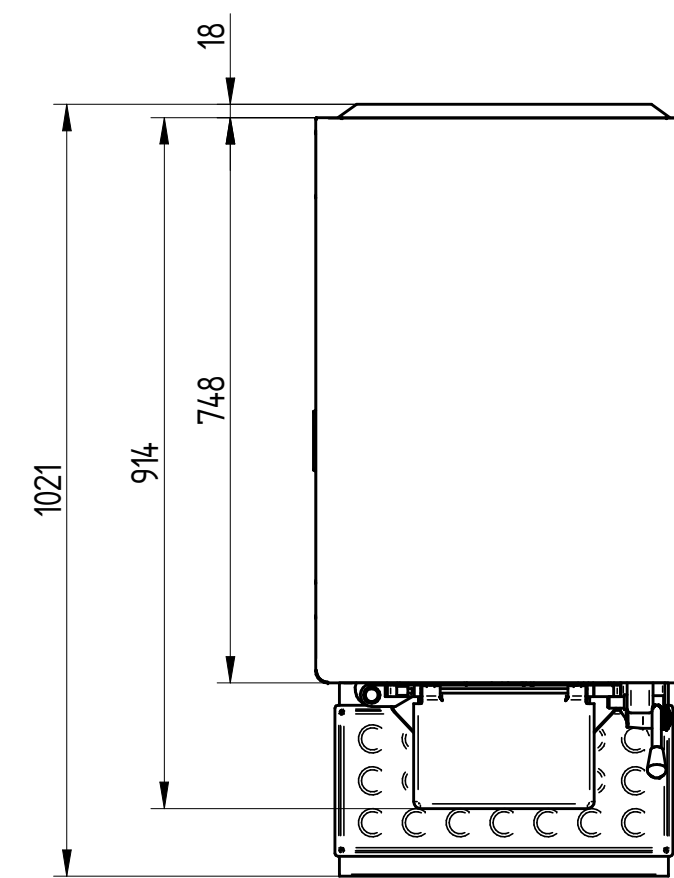


# STARGEL 8 REVO

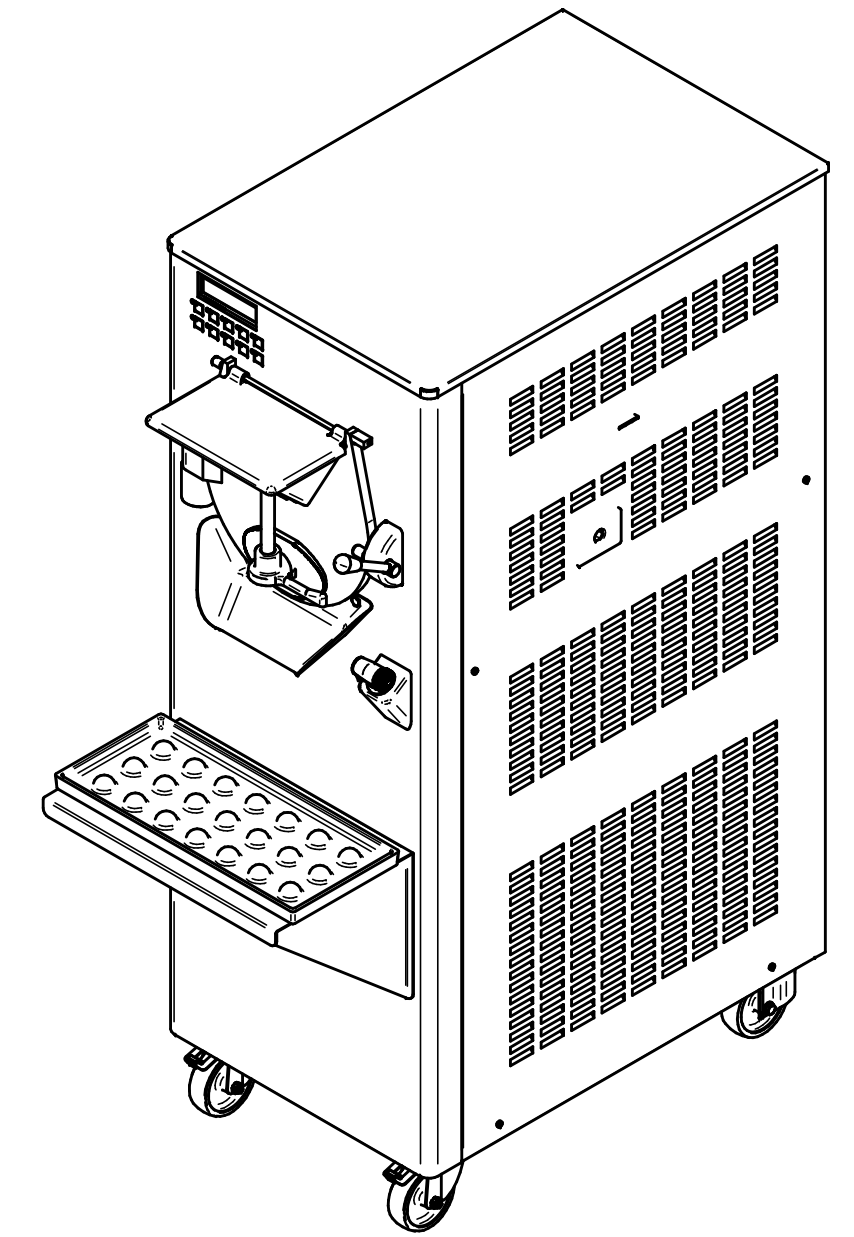
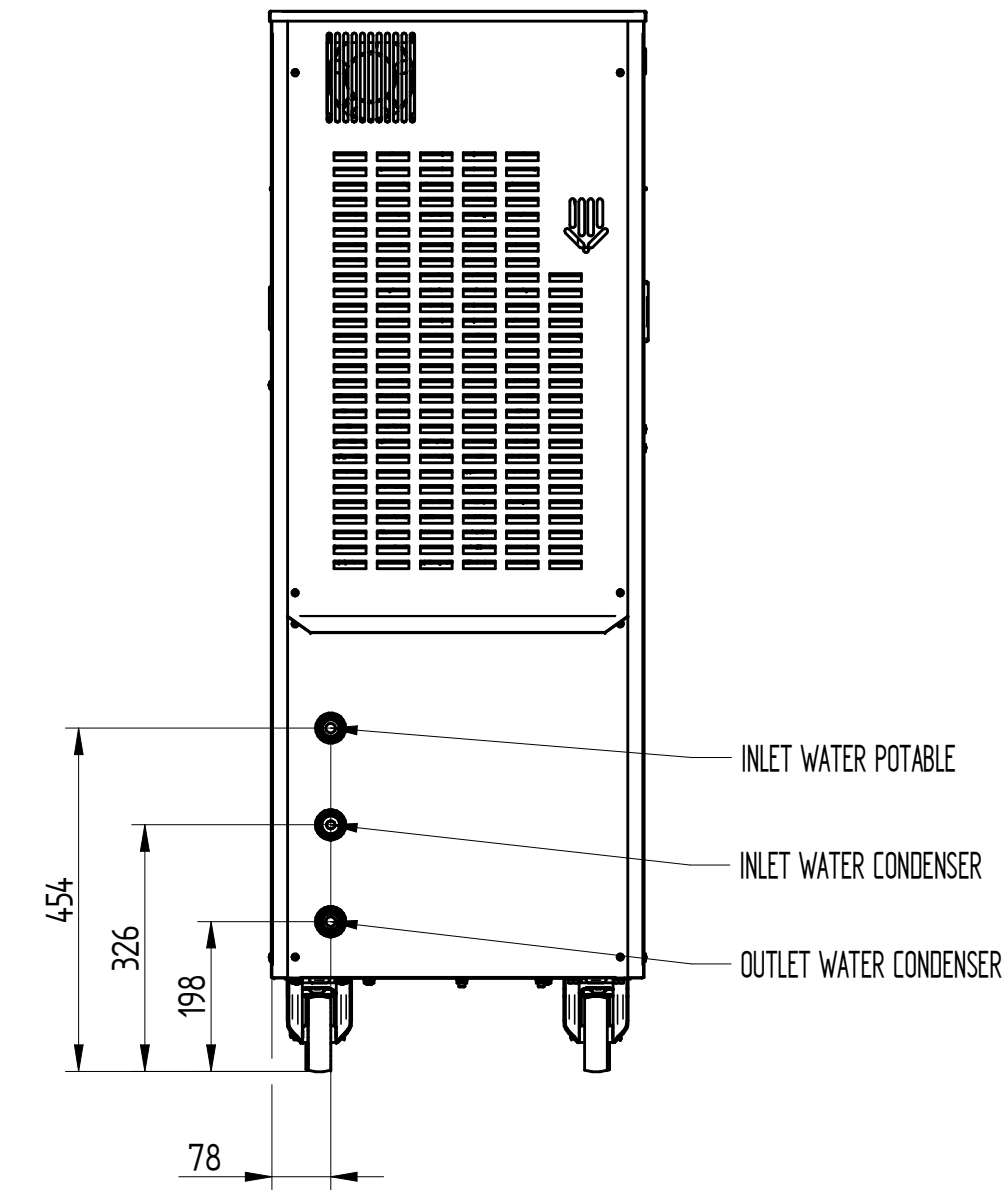
UPPER VIEW WATER VERSION



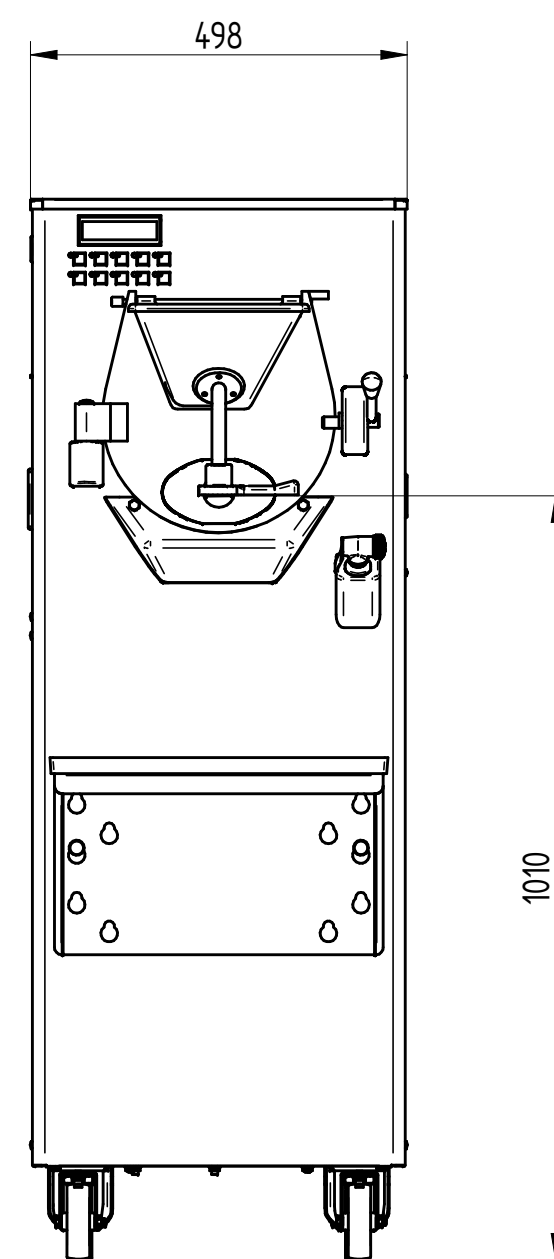
UPPER VIEW AIR VERSION



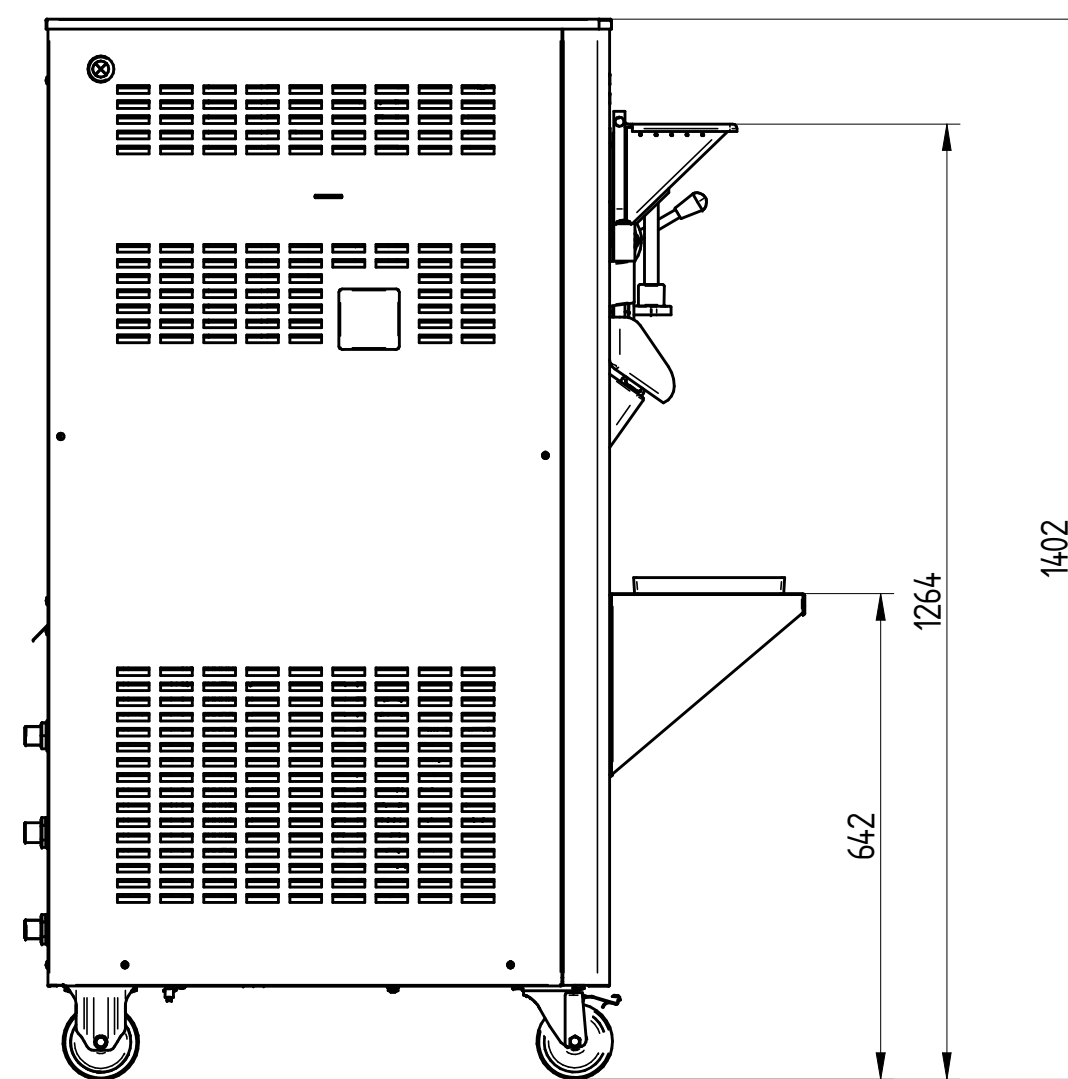
REAR VIEW WATER VERSION



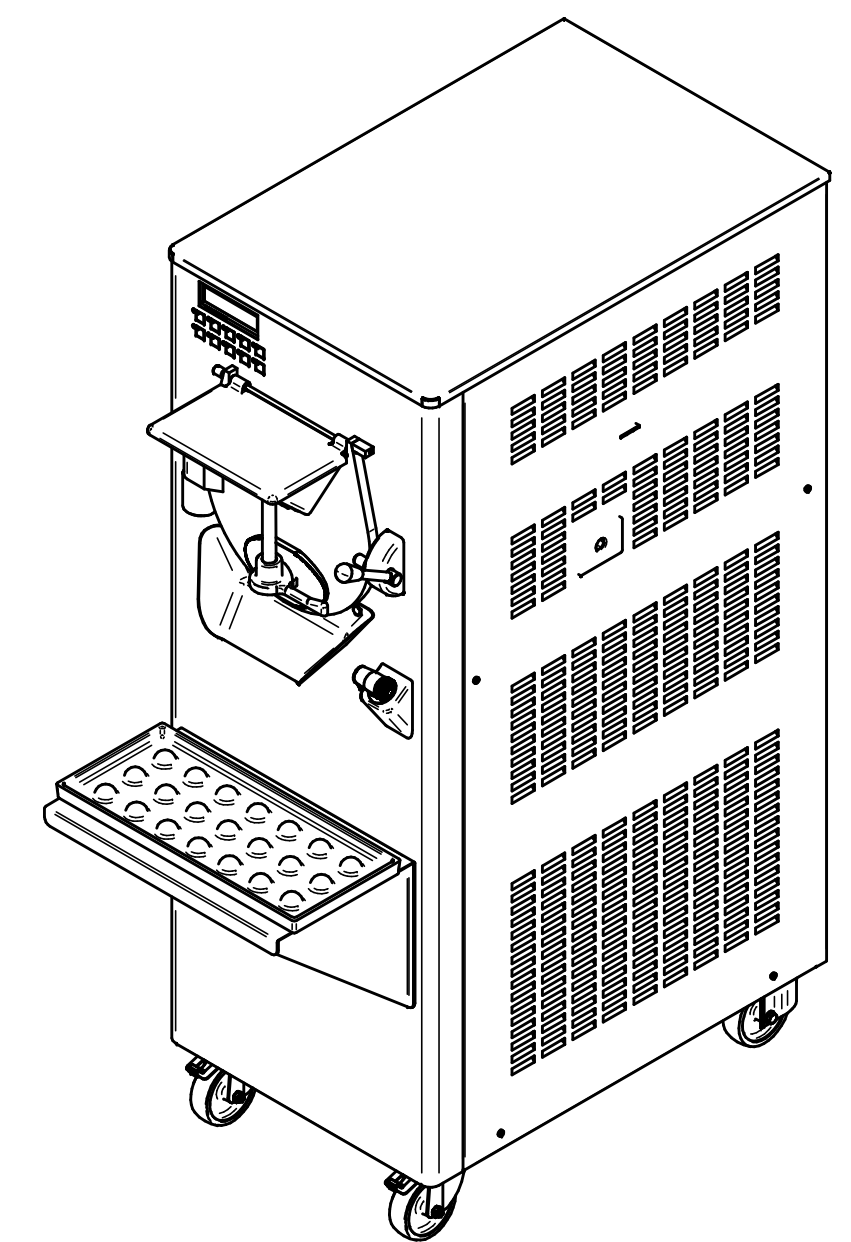
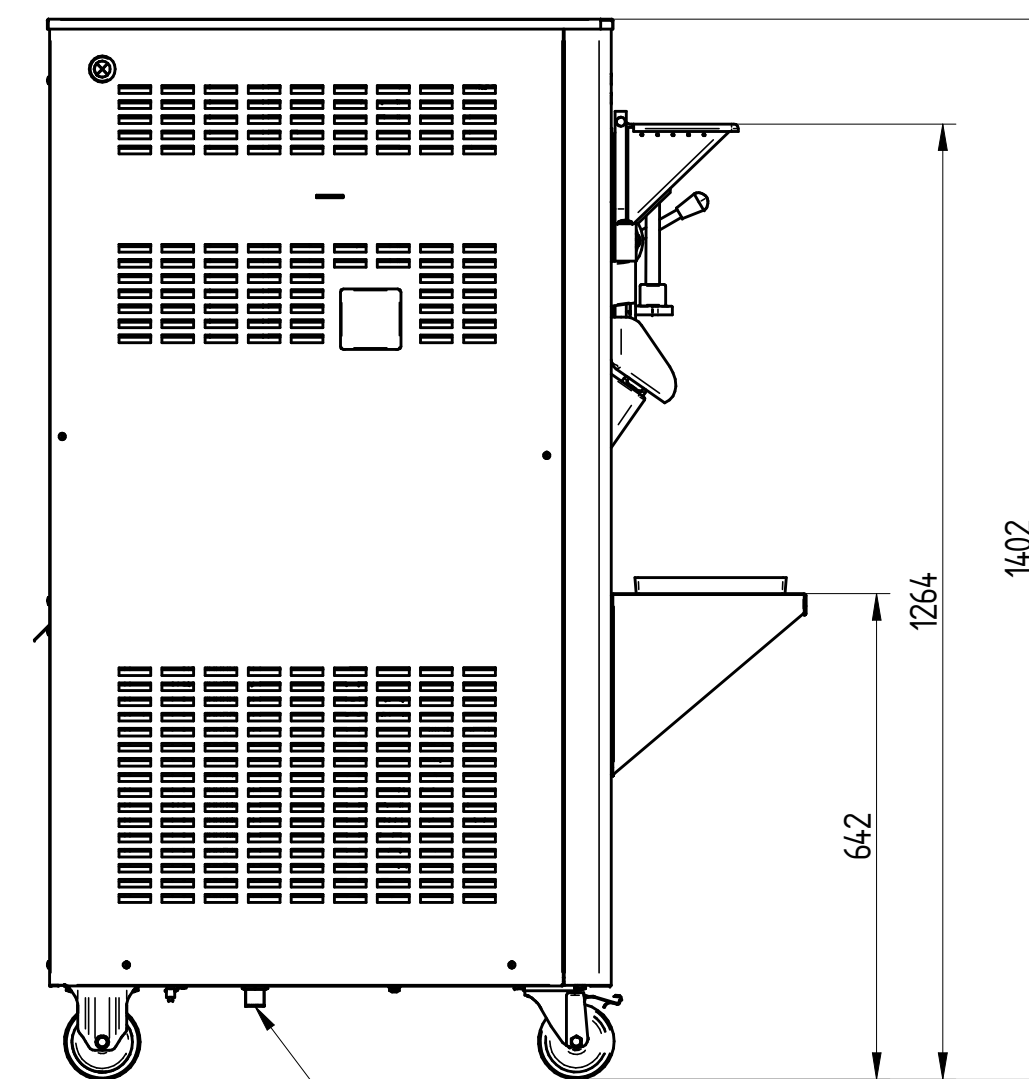
FRONT VIEW



LEFT SIDE VIEW WATER VERSION



LEFT SIDE VIEW AIR VERSION



INLET WATER POTABLE

DATE	REV.
19/03/2021	00

