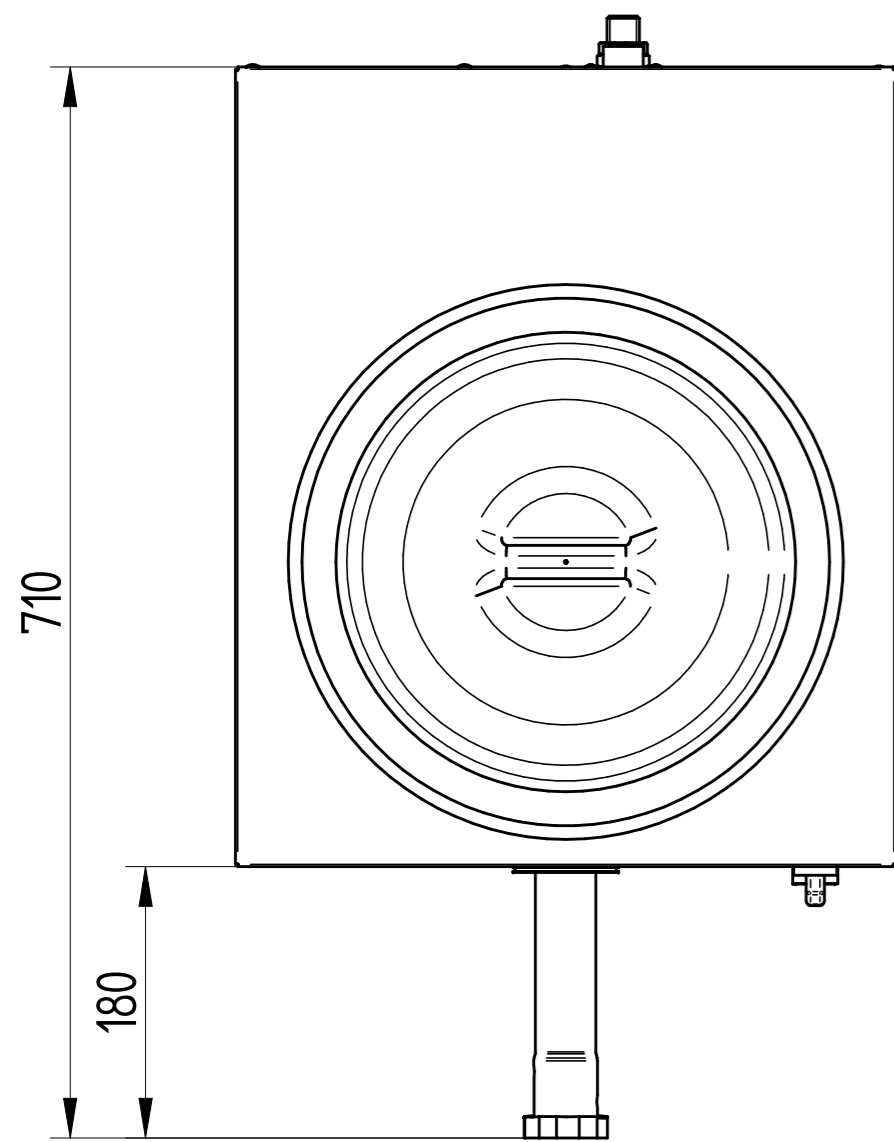
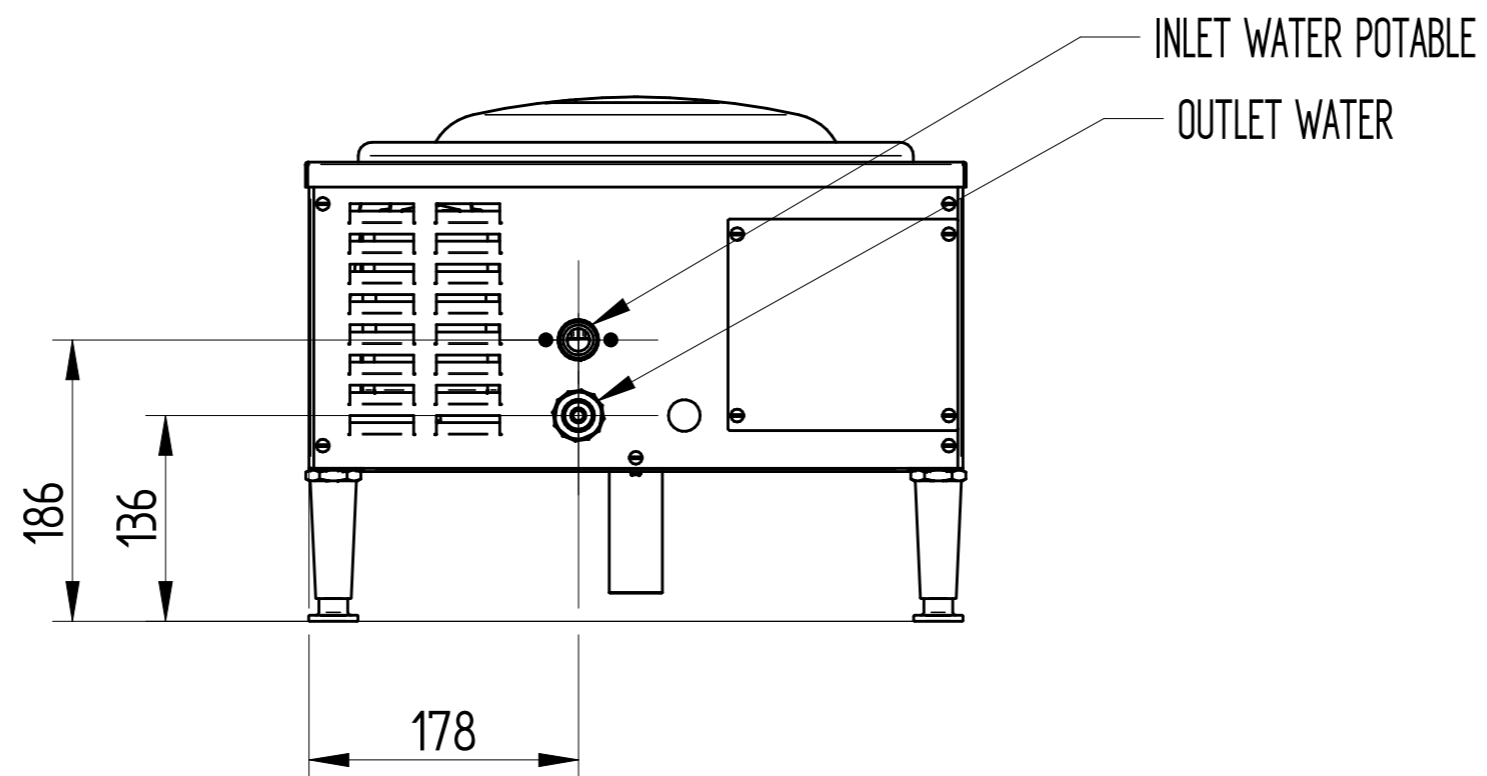


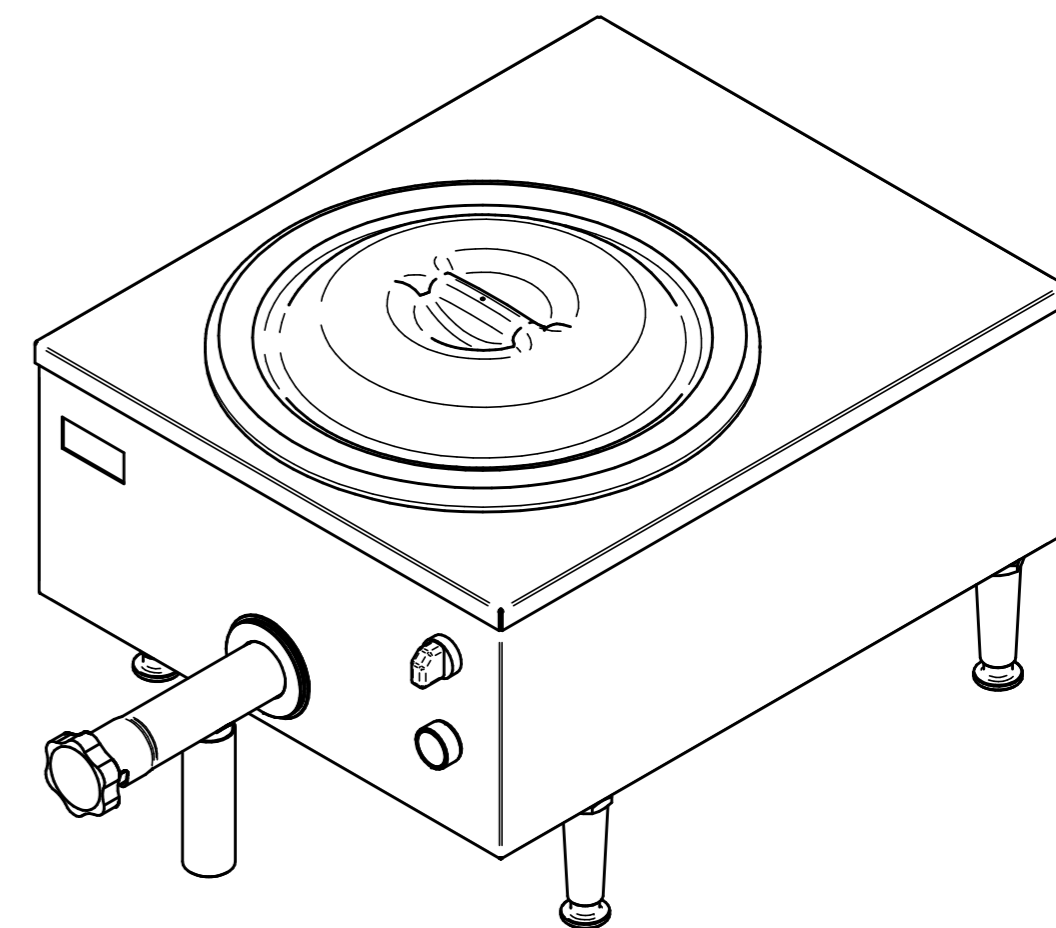
UPPER VIEW



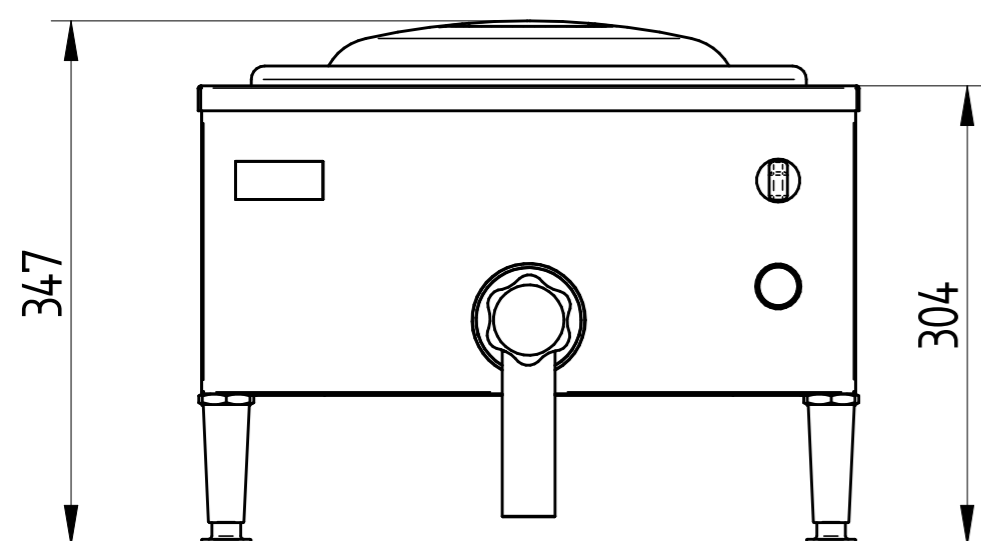
REAR VIEW



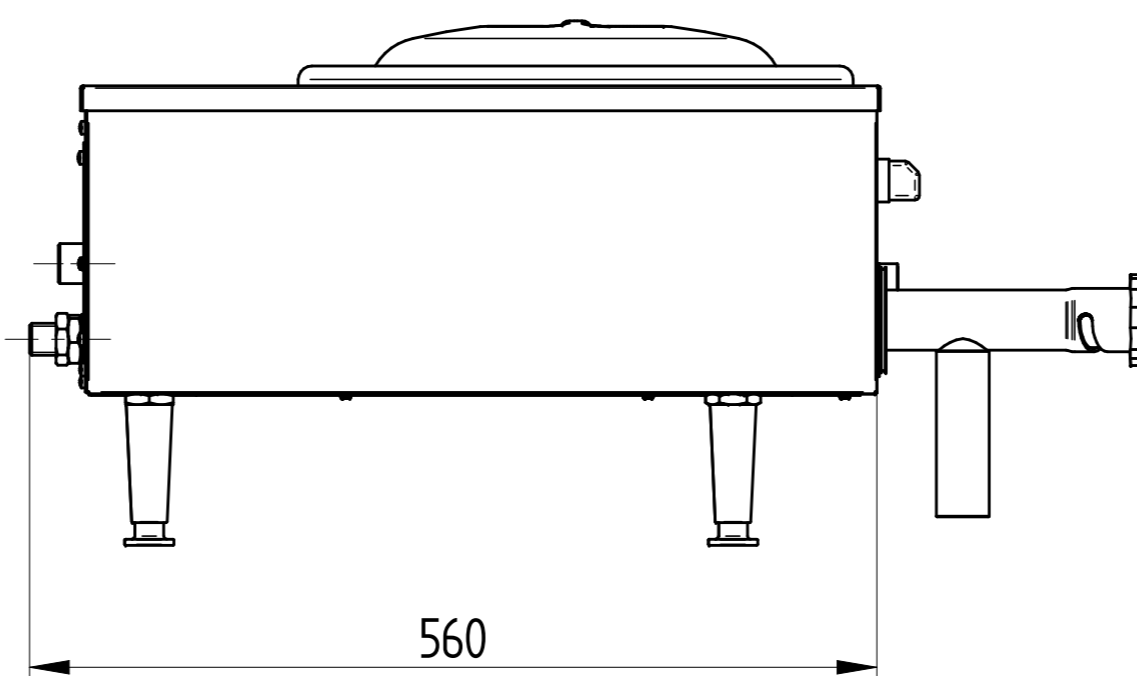
MIX / 7



FRONT VIEW



LEFT SIDE VIEW



DATE	REV.
01/02/2019	00

