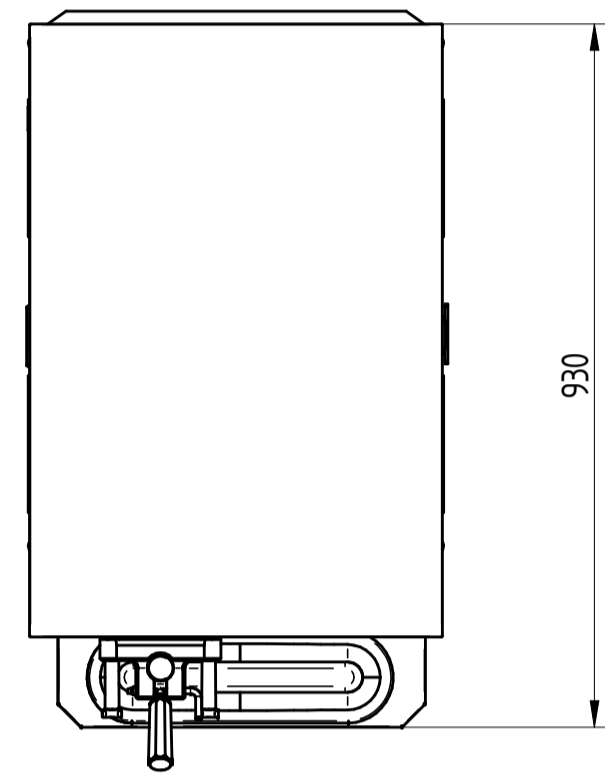
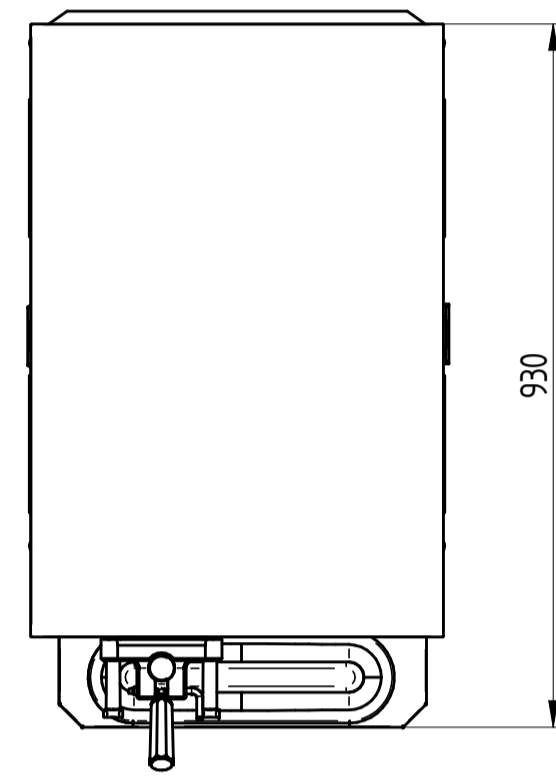


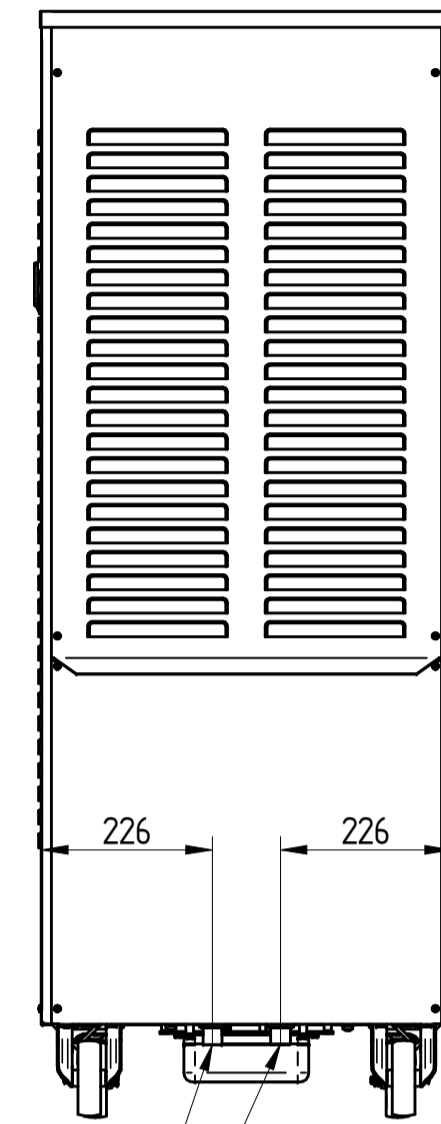
UPPER VIEW WATER VERSION



UPPER VIEW AIR VERSION

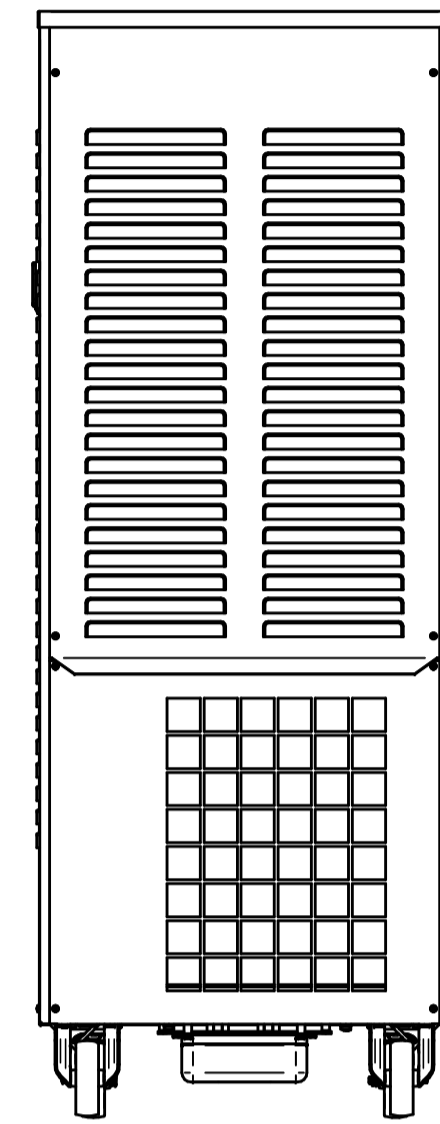


REAR VIEW WATER VERSION

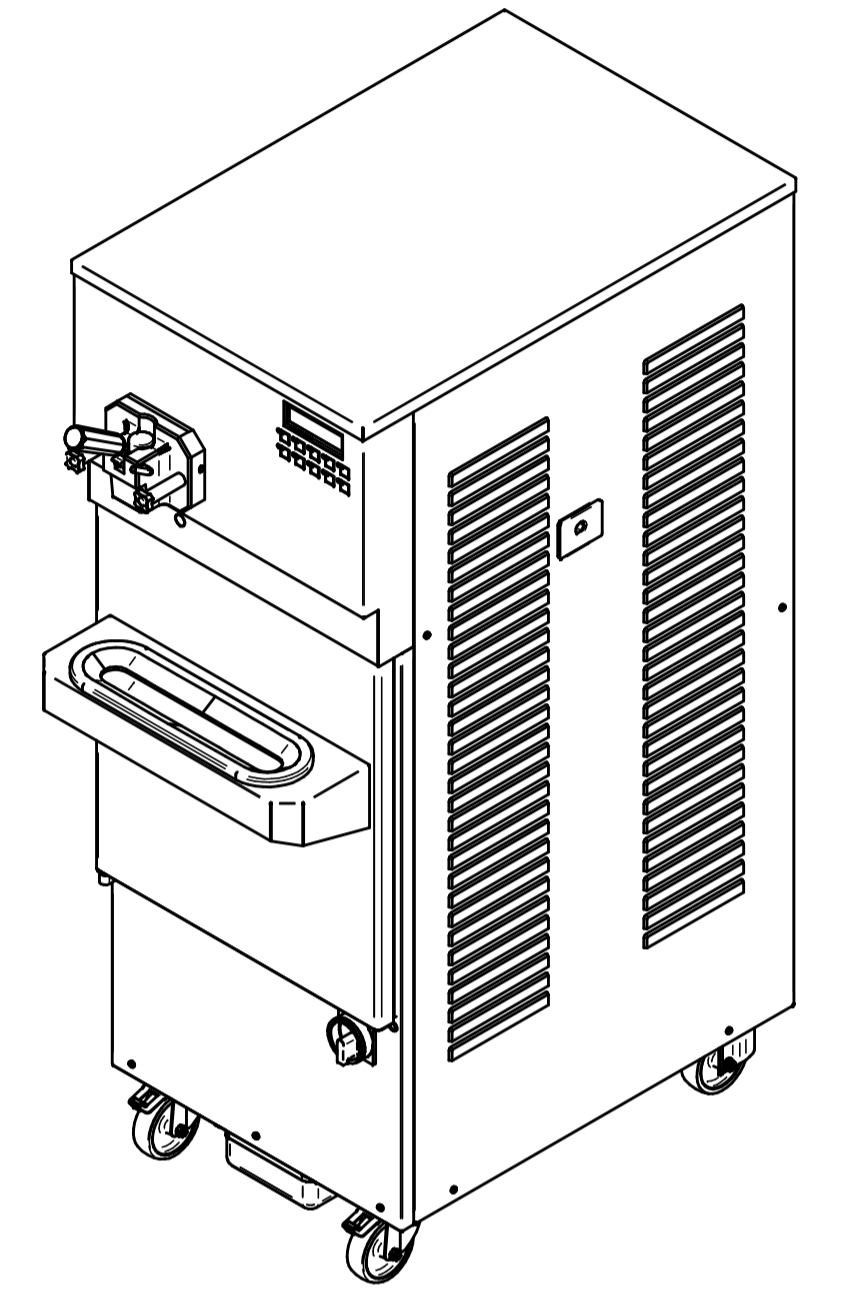


OUTLET WATER CONDENSER  
INLET WATER CONDENSER

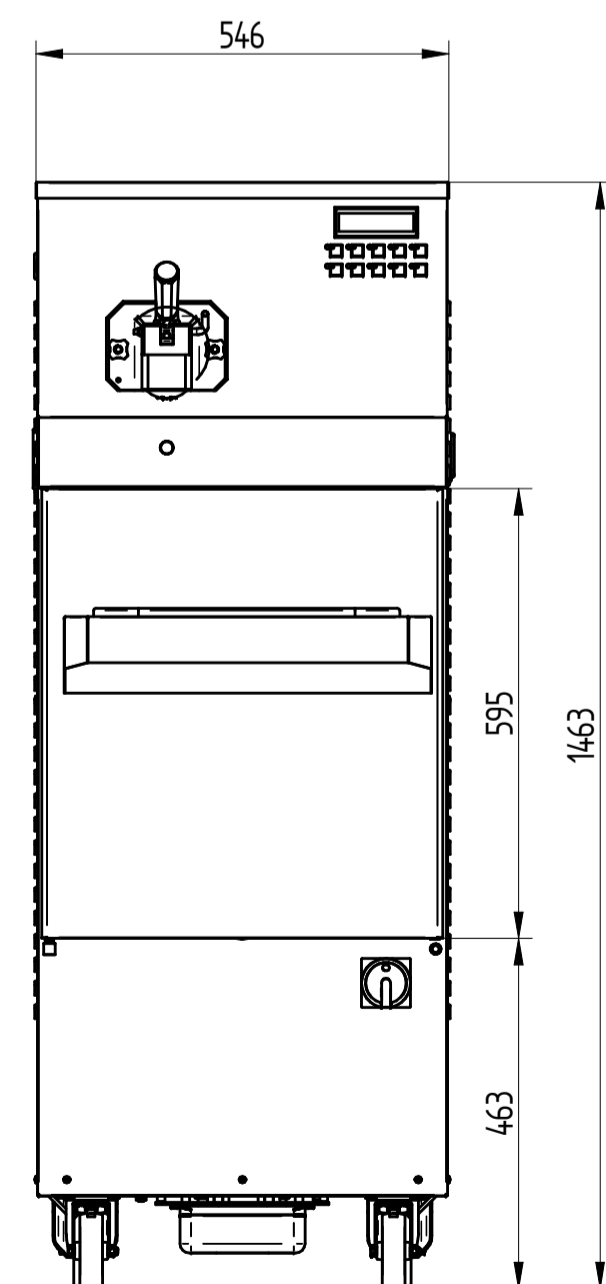
REAR VIEW AIR VERSION



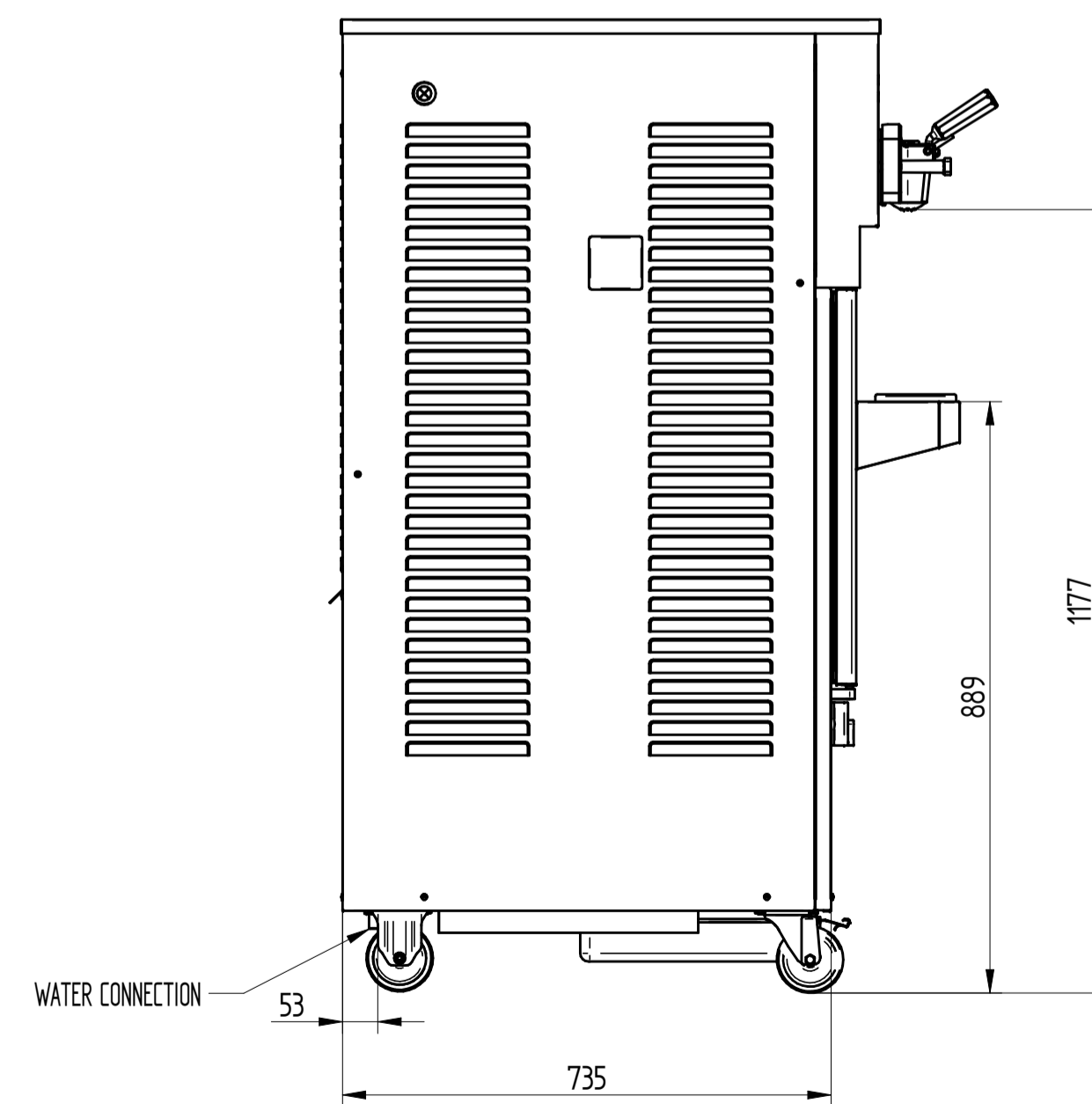
# 401 BIB



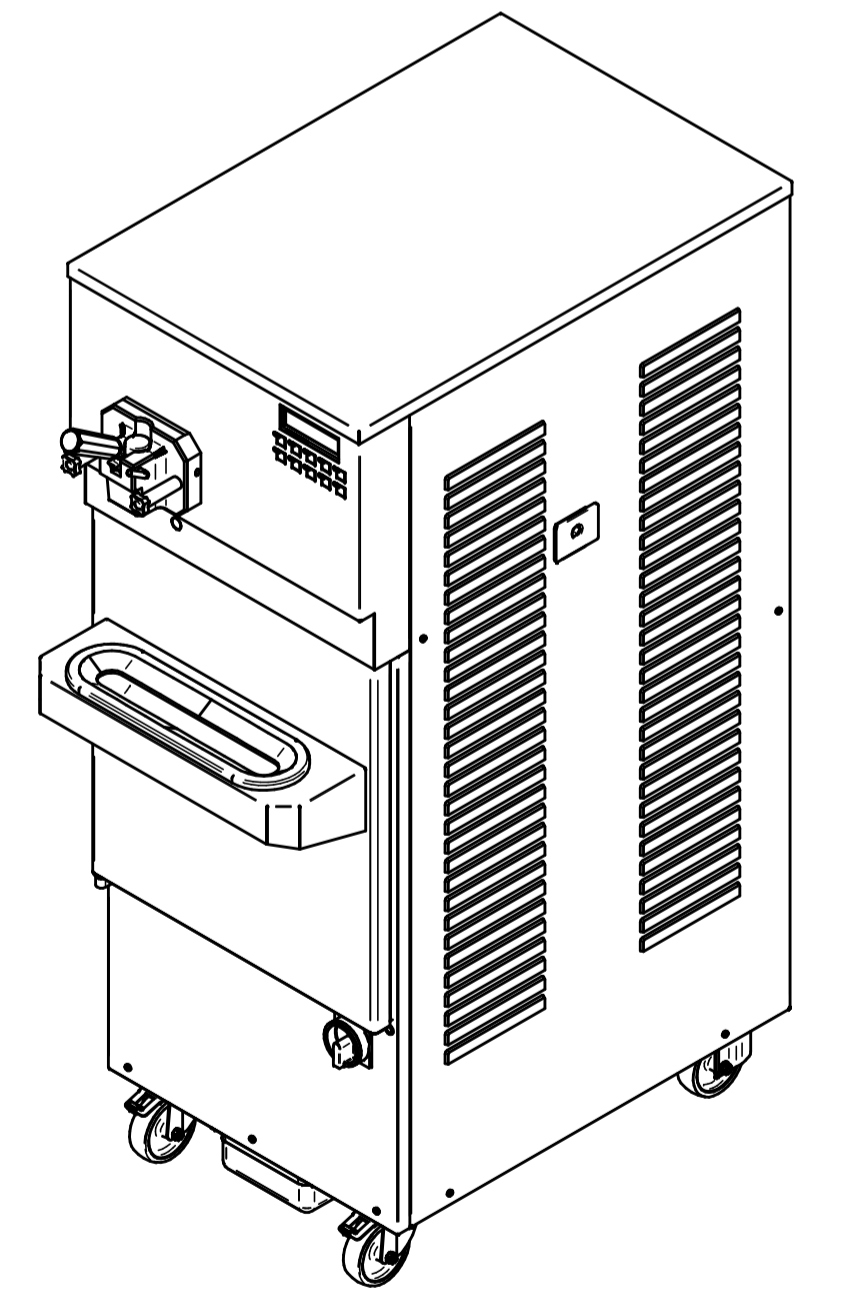
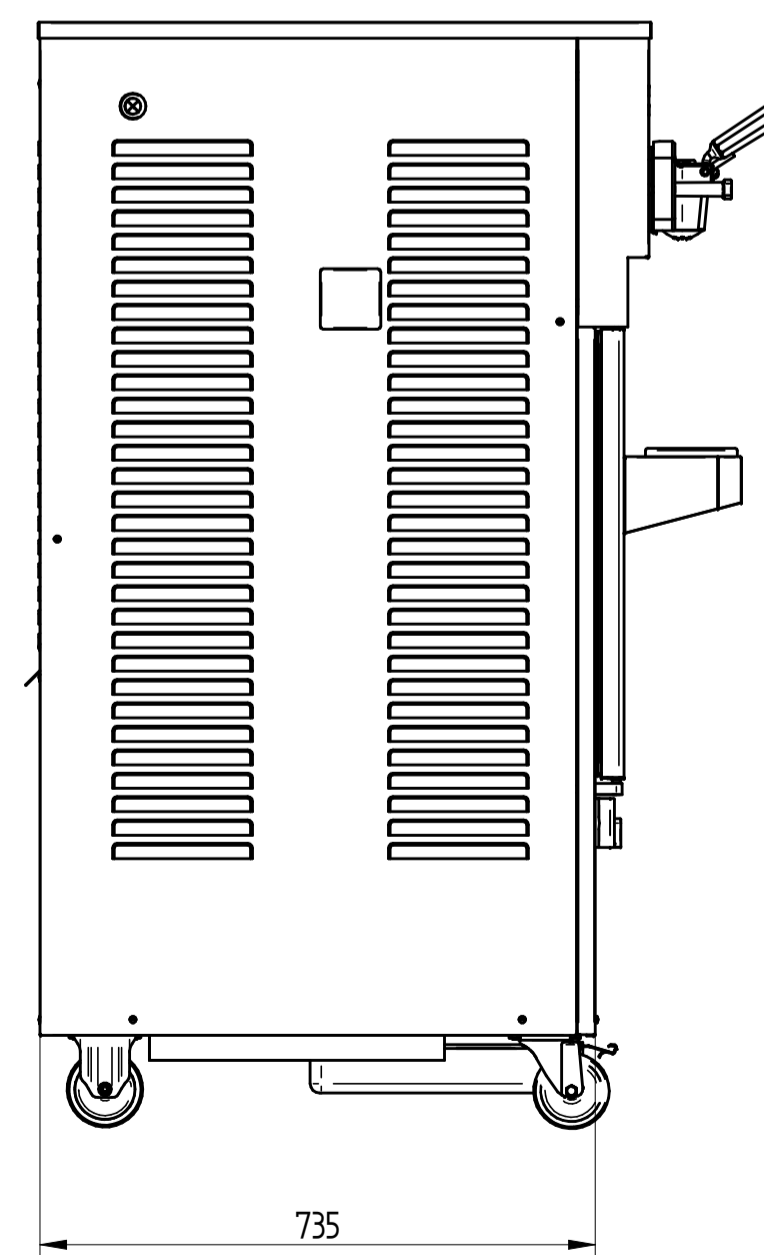
FRONT VIEW



LEFT SIDE VIEW WATER VERSION



LEFT SIDE VIEW AIR VERSION



DATE	REV.
22/01/2018	00