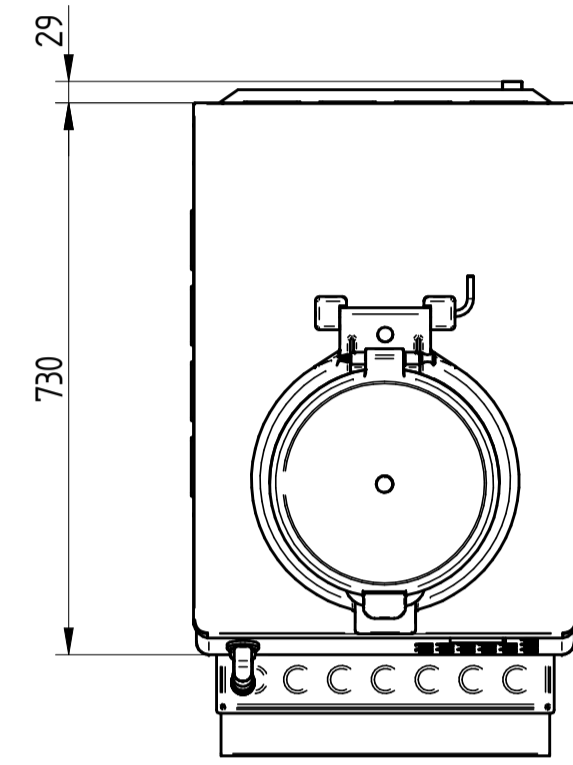
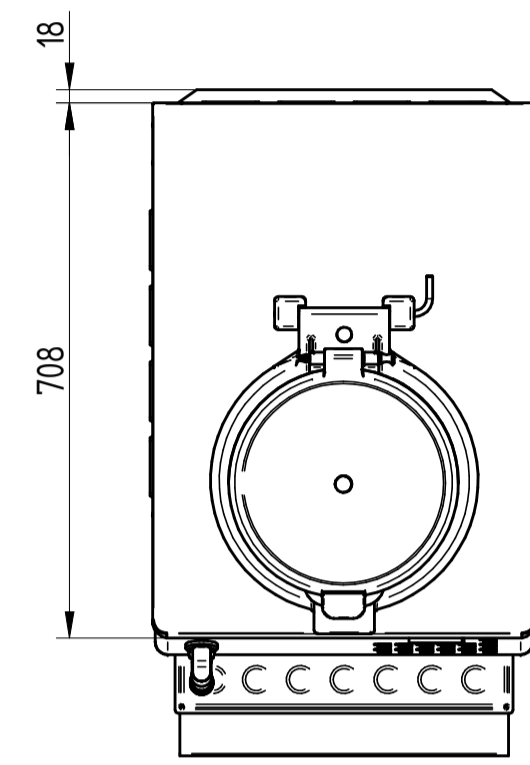


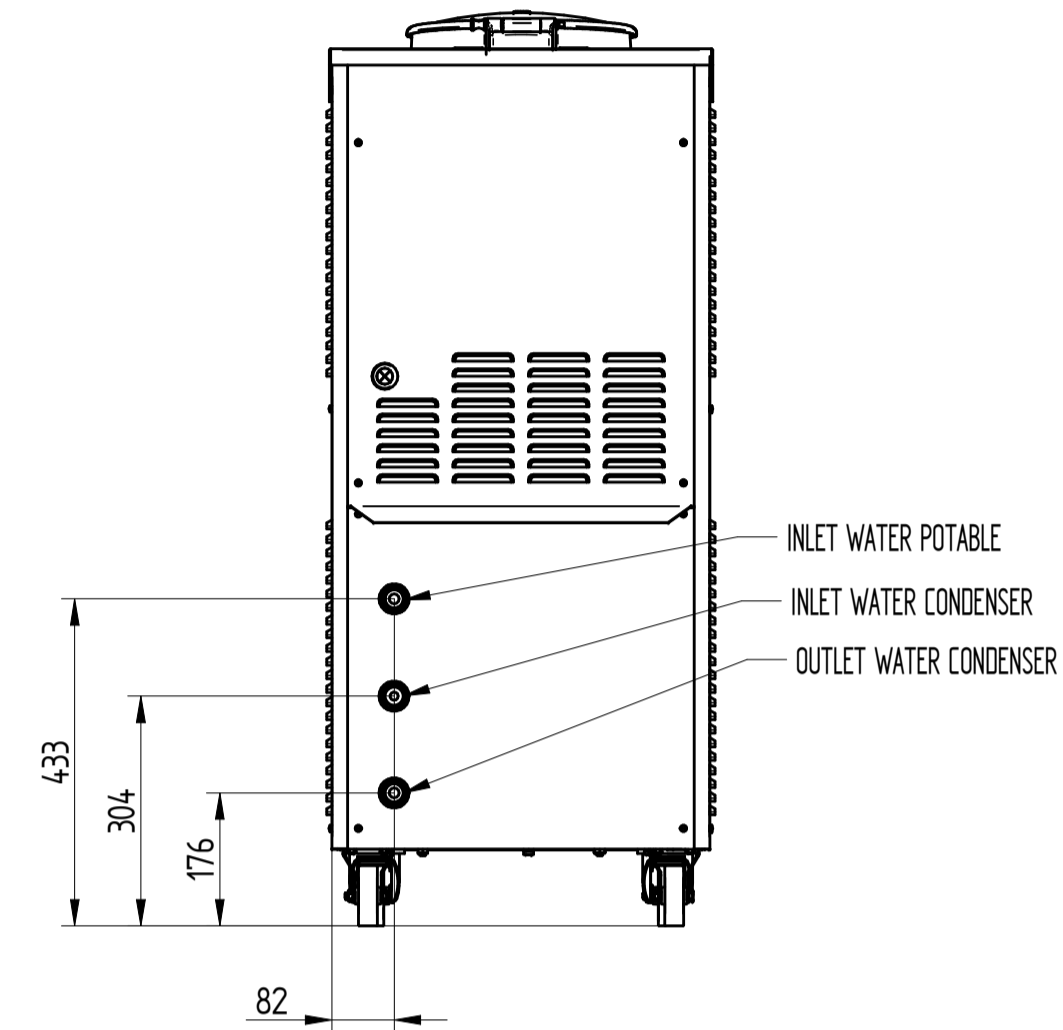
UPPER VIEW WATER VERSION



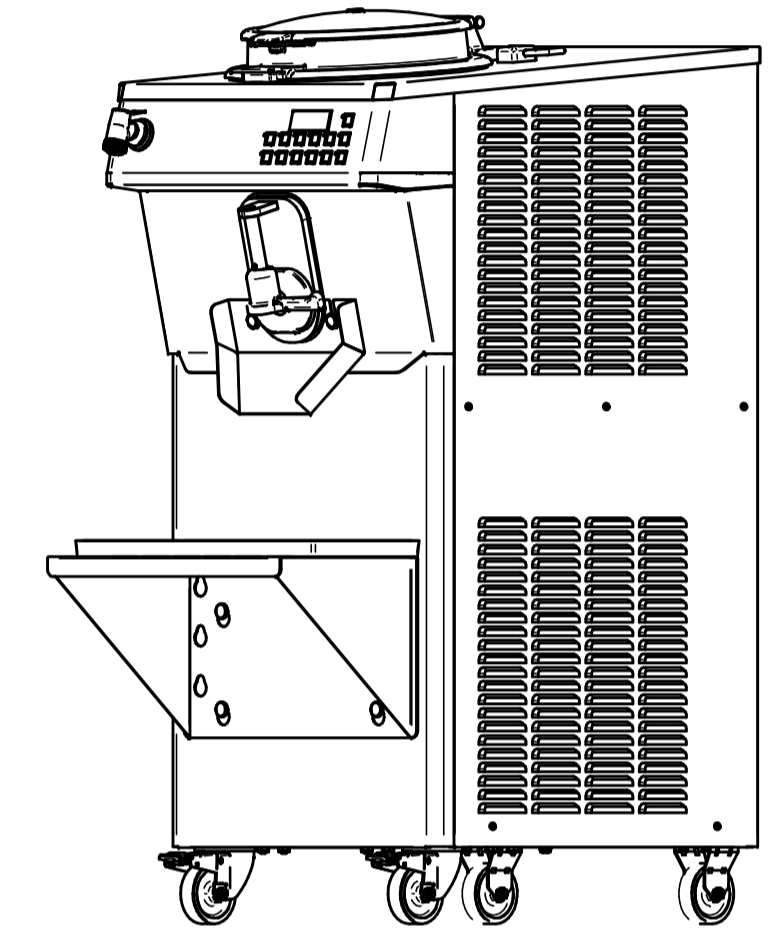
UPPER VIEW AIR VERSION



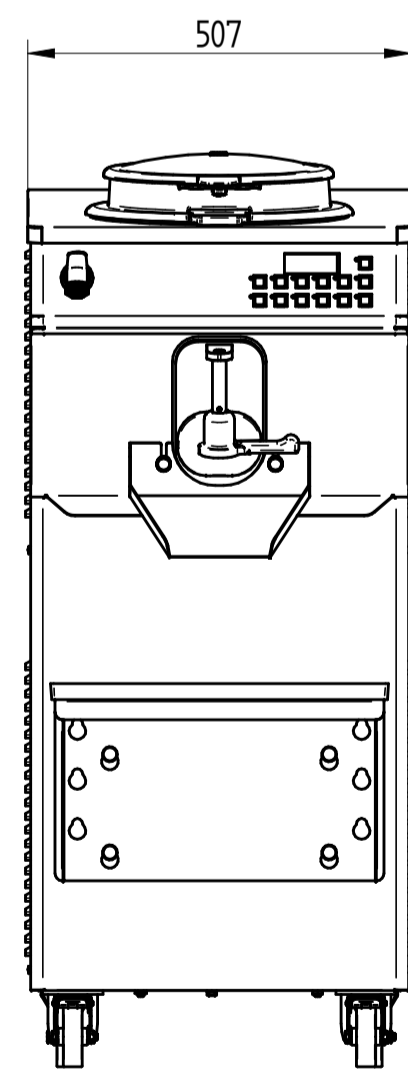
REAR VIEW WATER VERSION



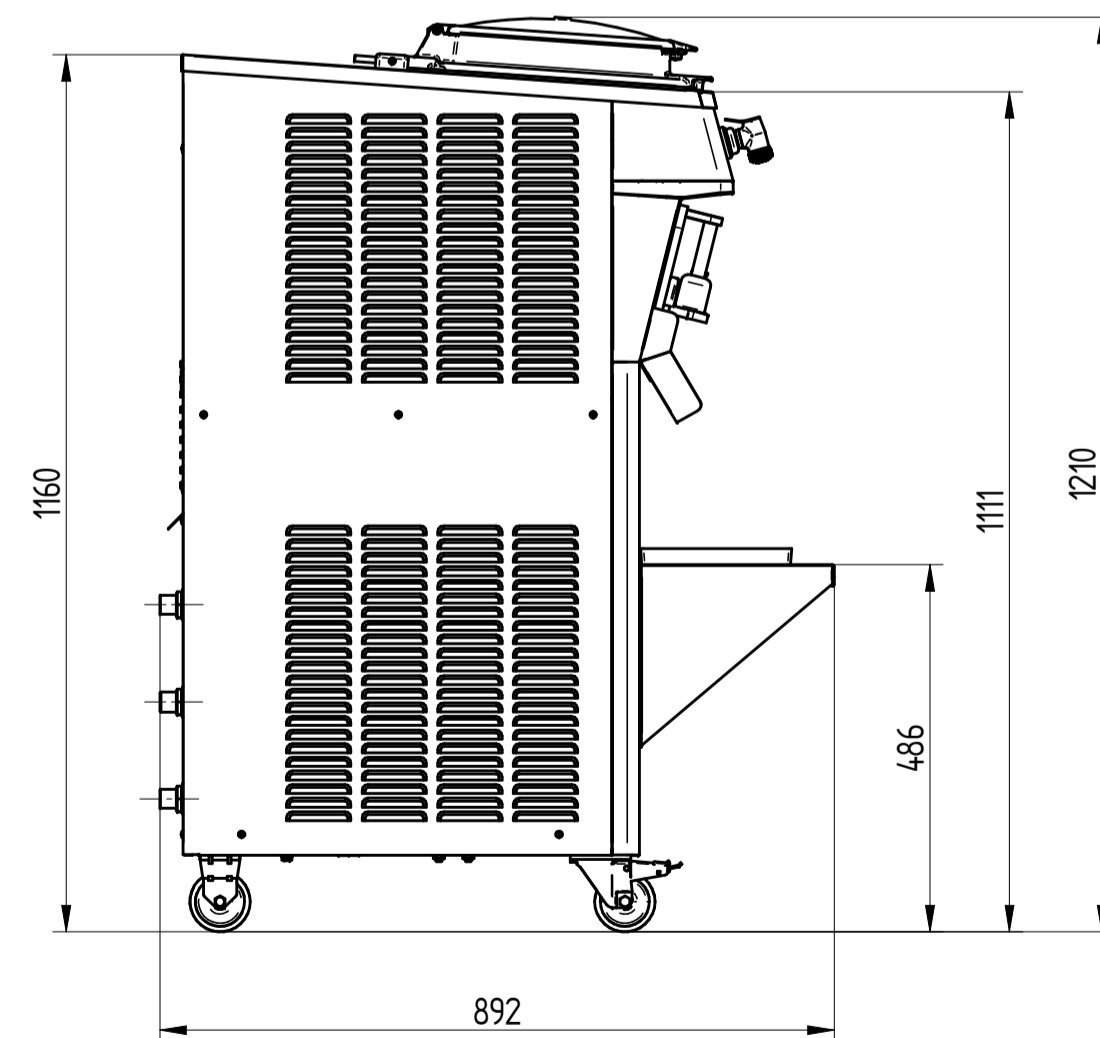
EASYFREEZE 2000/HT INOX



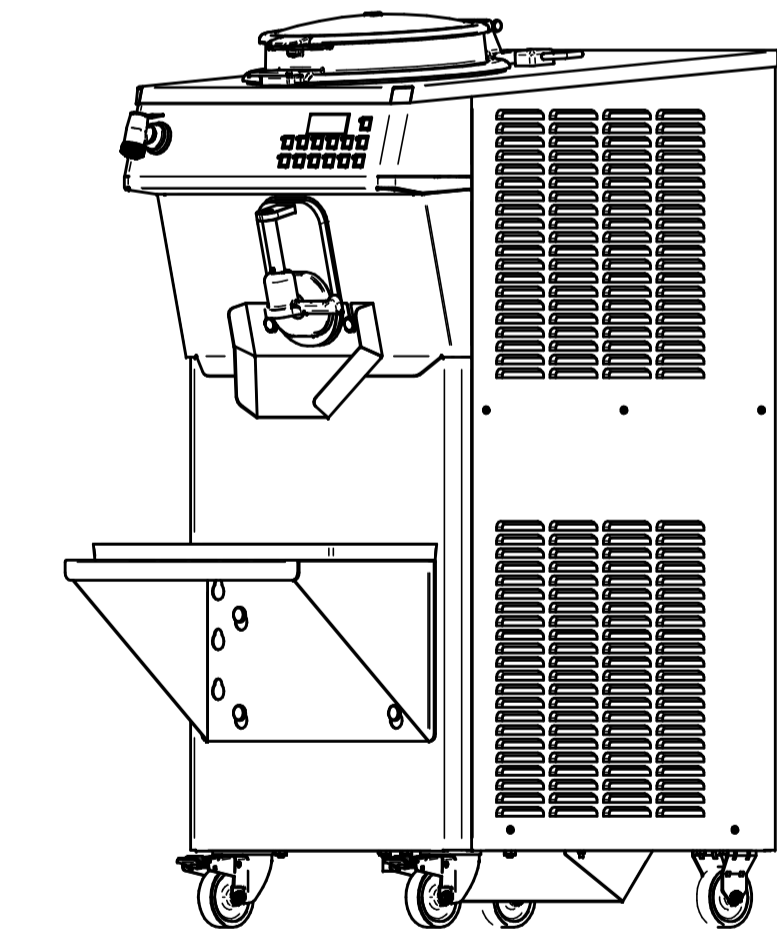
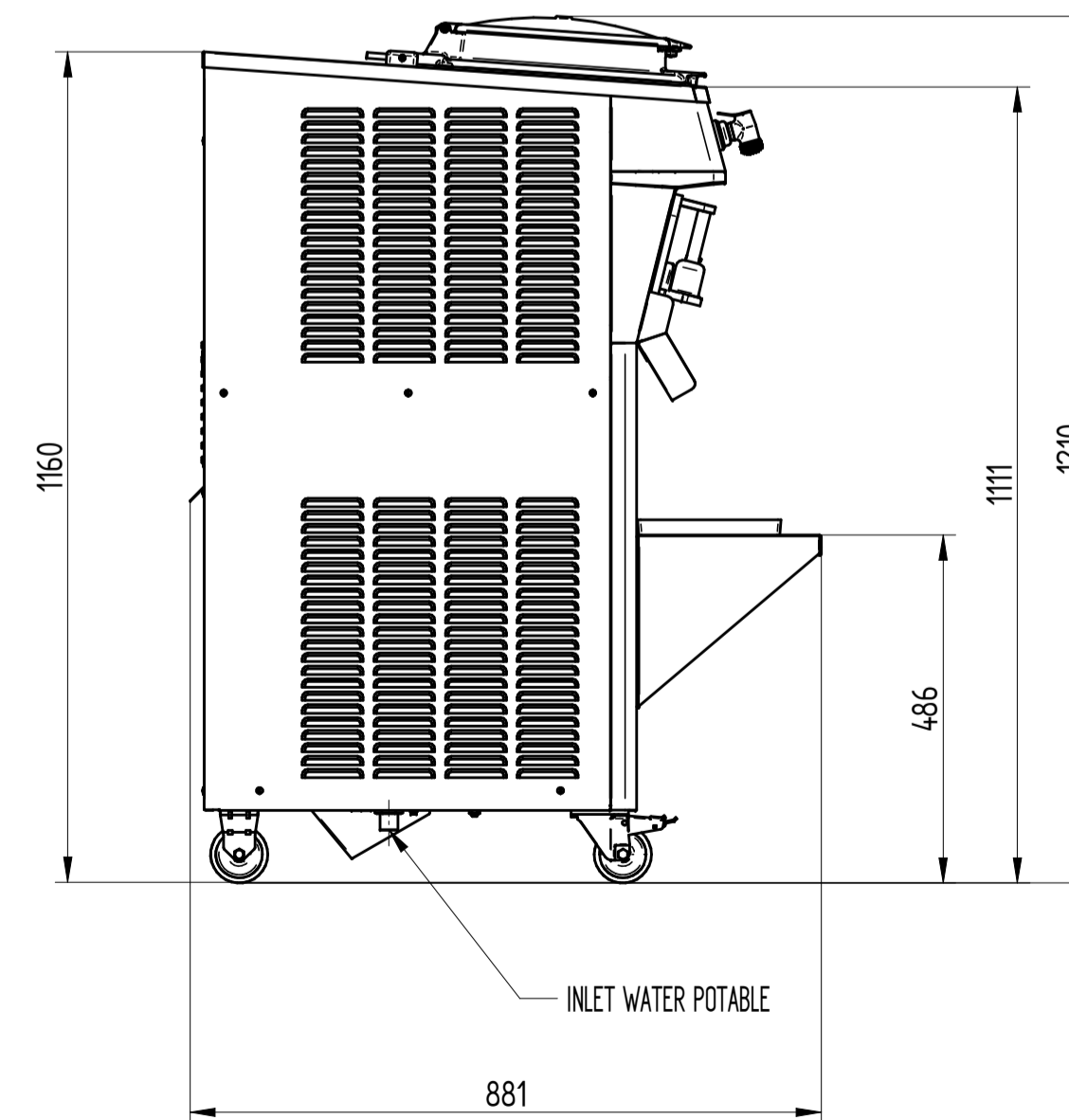
FRONT VIEW



LEFT SIDE VIEW WATER VERSION



LEFT SIDE VIEW AIR VERSION



DATE	REV.
07/09/2017	00